

IF IN DOUBT ASK
DO NOT SCALE

A

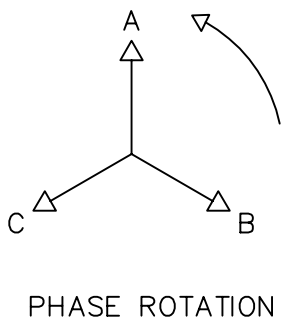
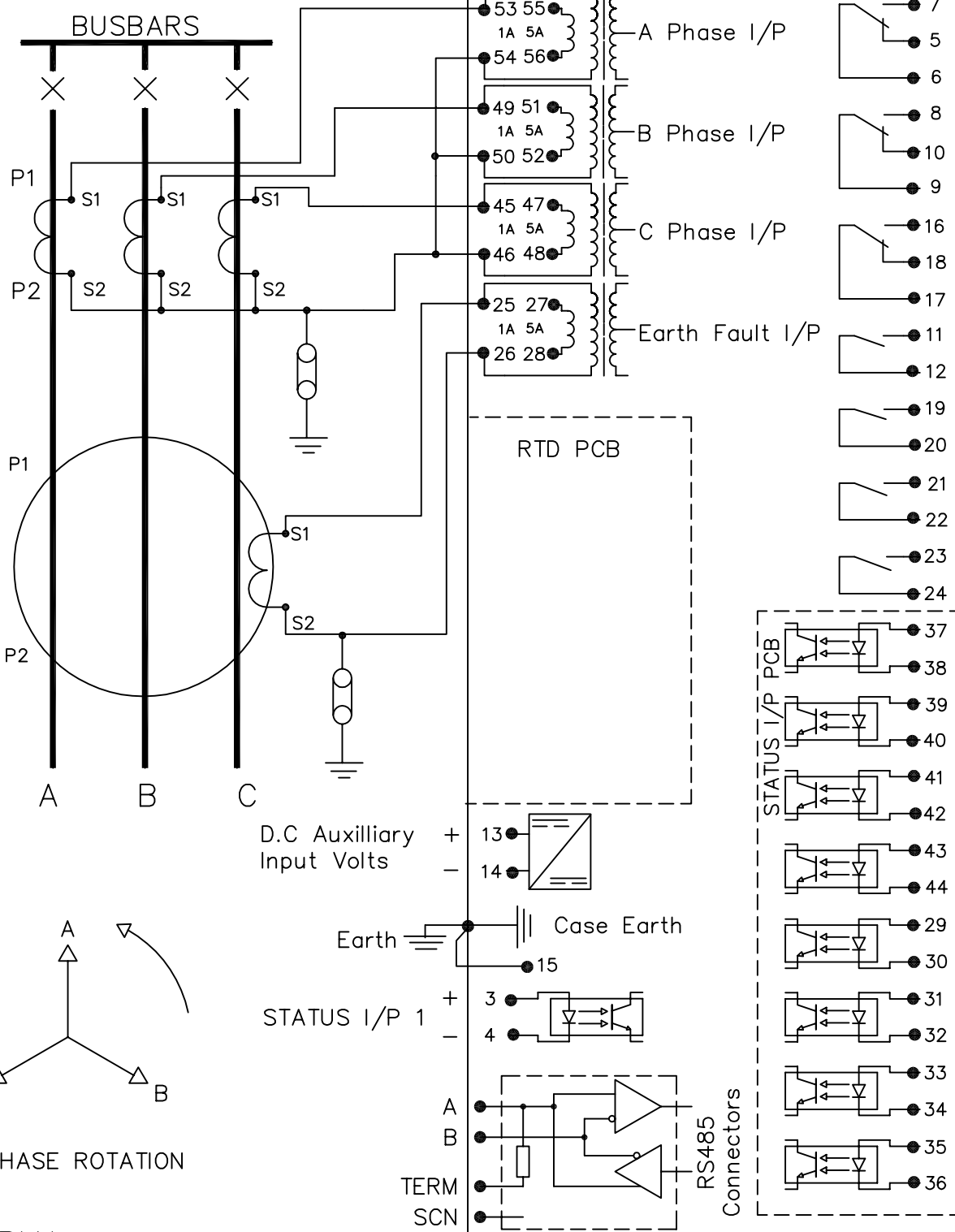
B

C

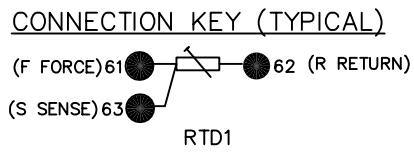
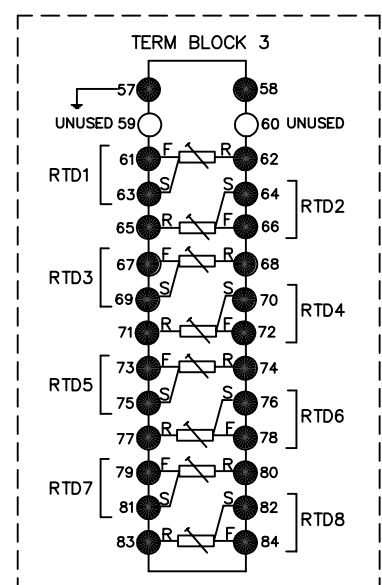
D

E

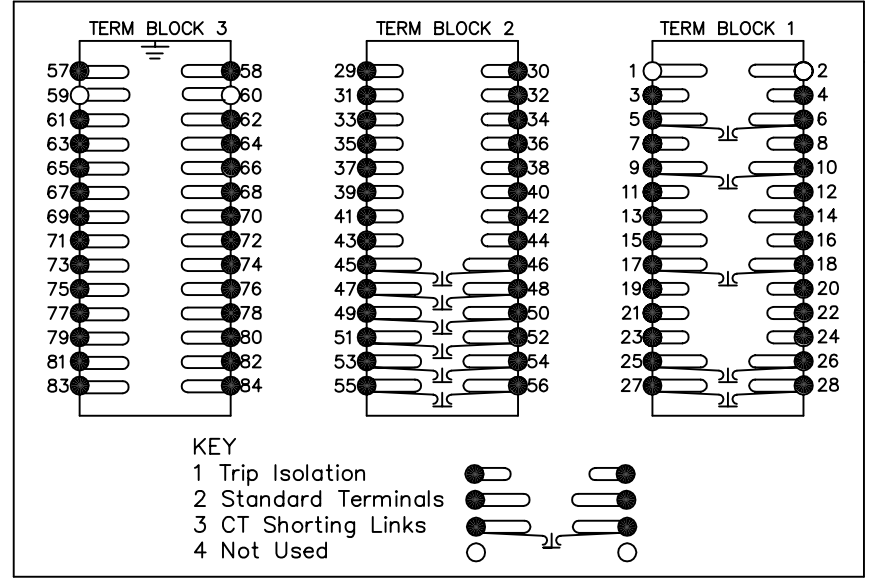
F



RESISTANCE TEMPERATURE DETECTOR (RTD)



TERMINAL BLOCKS VIEWED FROM REAR



**NOT SUBJECT TO UPDATE
ONCE COPIED / PRINTED
OR DOWNLOADED**

- NOTES
- 1 CT CIRCUITS ARE SHOWN CONNECTED TO RELAY 1 AMP TAP. USE ALTERNATIVE TAP FOR 5AMP RATED CTs.
 - 2 CT & EARTH CONNECTIONS ARE TYPICAL ONLY.
 - 3 FOR TERMINAL IDENTIFICATION & WIRING DIAGRAM. SEE 2681W50004 (A3) (EPSILON)

MATERIAL:

Dimensions in millimetres : Surface texture in micrometres.
Machine where marked ✓
For explanation of dimensions, tolerances, notes etc. see B.S.308.
Limit on untoleranced unmachined dimensions ± _____
Limits on untoleranced machined dimensions to B.S.4500;
i.e. up to 6±0.1; over 30 to 120±0.3; over 315±0.8;
over 6 to 30±0.2; over 120 to 315±0.5;
General unmachined angular tolerance ± _____

Finish: _____
Treatment: _____

Title: TYPICAL SCHEMATIC DIAGRAM FOR RHO 3 MOTOR PROTECTION
SEPARATE CORE BALANCE CT & RS485 COMMS & RTD E8 CASE

SIEMENS PROTECTION DEVICES LTD.

First used on: _____
Similar Articles: _____
Supersedes: _____
Original Scale: NTS
Drg. No. 2681W10009

DRAWN RDW	CHECKED RDW	APPROVED R.D.WATSON	DATE 30/01/07	IE	OPS	PCP	Purch.Spec. TQ	EAC	CE	STD	A3
-----------	-------------	---------------------	---------------	----	-----	-----	----------------	-----	----	-----	----

Copyright © 2007 Siemens Protection Devices Ltd. Hebburn

1	30/01/07	CHANGE NOTED	△
ISSUE	DATE		